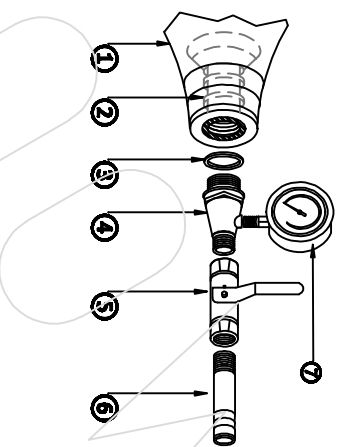
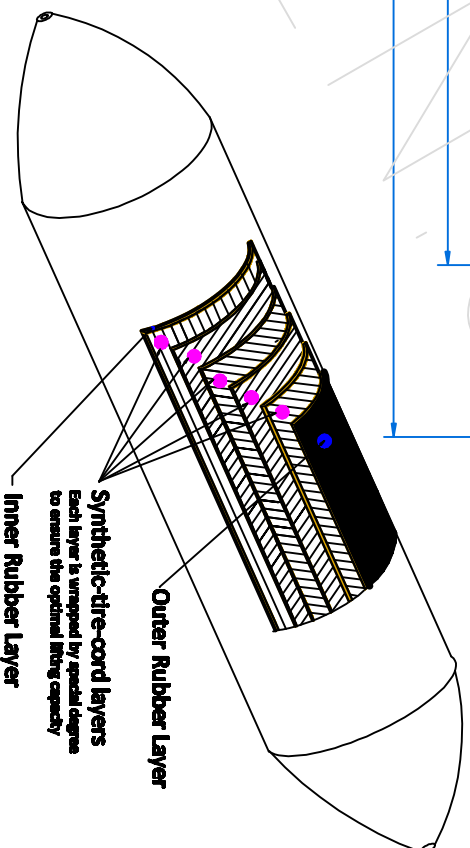
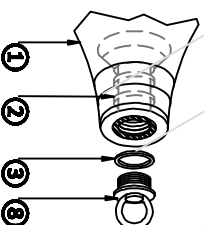


Exploded View of Air Inlet End (A)



Exploded View of Air Tightness Swivel End (S)



● Unique Helical Wrapping Technology (Helical Pattern)
The air bag made by this technology has better bearing capacity than the traditional "Connecting Type" and "Surface Wrapping Type" air bag.

- B --- Body of Air Bag
- H --- Header of Air Bag
- A --- Air Inlet End
- S --- Air Tightness Swivel End
- D --- Diameter of Air Bag
- L/EL --- Effective Length of Air Bag
- Lo/TL --- Total Length of Air Bag

QTY	Part No.	Description	Size	Material	Remark
1	8	End Swivel	---	SS4.00	Zn-Galv'D
1	7	Liquid Filled Air Pressure	---	---	HAKIN
1	6	Short Steel	?	SS4.00	Zn-Galv'D
1	5	Ball Valve	?	Brass	---
1	4	Three-Direction Connector	---	SS4.00	Zn-Galv'D
2	3	Sealing Washer	---	Silica Gel	---
2	2	End Flange	---	SS4.00	Zn-Galv'D
2	1	The End of Air Bag Body	---	Rubber	---

Note

1. Do not scale.
2. This drawing illustrates the standard structure and accessorize each air bag system. All these items will be supplied as the whole system.
3. Please be practically as standard.

© 2020 Dongdo Down Rubber and Plastic Products Co., Ltd. All rights reserved.

TITLE

Marine Rubber Airbags

DRAWN BY:	DATE:	DWG. No.:
CHECKED BY:	Job No:	Sheet:
APPD BY:	Scale:	Revision No.:



DooFlex
Flexible Engineering

Tel/Fax: +86-532-87788178 Email: sales@doowin.com www.doowin.com
We reserve modifications of the mentioned values for technical reasons. The information correspondence with our latest and is offered without liability. © 2020 Dongdo Down Rubber and Plastic Products Co., Ltd. All Rights Reserved